

Simulator architecture comparison

A proposal for reworking research flight simulators Rotorcraft-Pilot Coupling and Frame-SIM.

Marek S. Łukasiewicz (marek.lukasiewicz@polimi.it), 2024-01-29
 Department of Aerospace Science and Technology (DAER) of Politecnico di Milano
 © 2024. This work is openly licensed via [CC-BY 4.0](https://creativecommons.org/licenses/by/4.0/)

Current setup

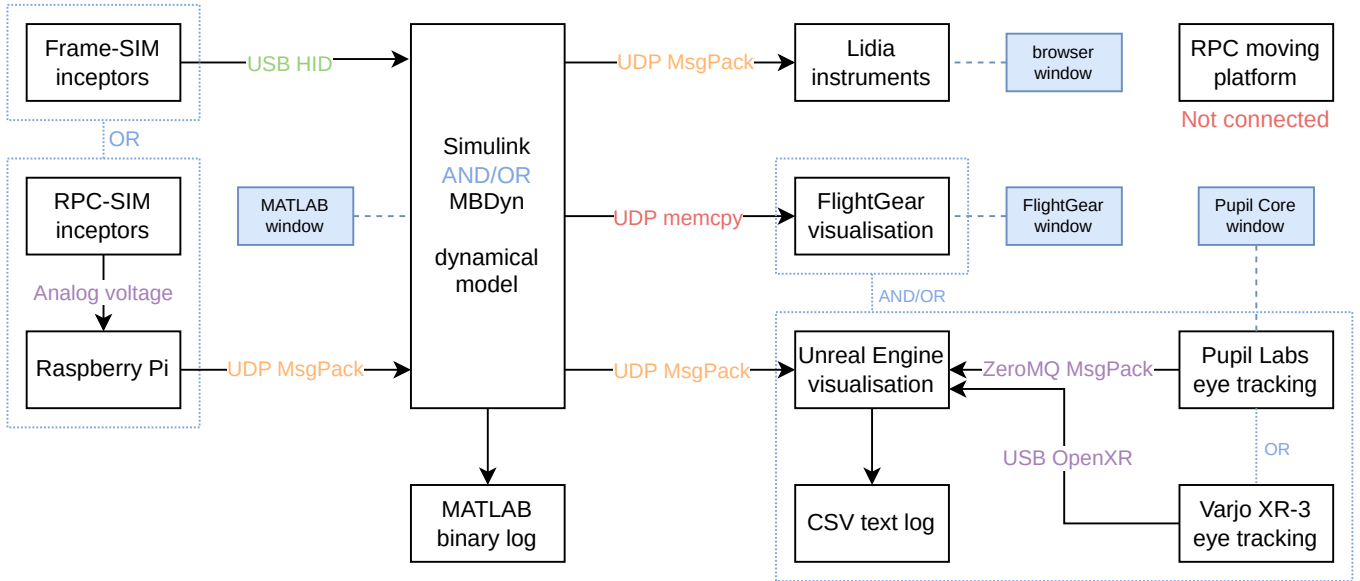
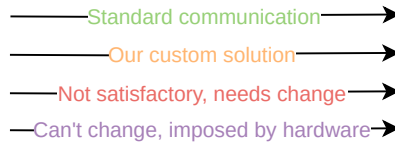
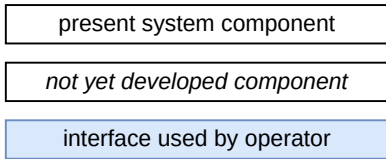
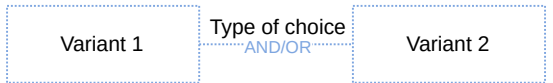


Diagram legend



Points of configuration



Proposed MAVLink rework

Read more about MAVLink in its [online documentation](#), which includes a [large set of common messages](#).

I propose to [publish our version](#) of this site, including only the subset actually used, with any [extensions](#) we [define](#) for unusual hardware.

